

# 1500-242WF STOOL ASSEMBLY GUIDE

PART LEGEND	
<b>A</b>	Upholstered Stool Head
<b>B</b>	Stool Head T-Nuts
<b>C</b>	Swivel Assembly
<b>D</b>	Stool Head Screws
<b>E</b>	Stool Column
<b>F</b>	Swivel Attachment Bolt & Washer

## ASSEMBLY INSTRUCTIONS

**1.** Mount column and bell to floor. Set bell in continuous sealant bead around perimeter of bell. Clean excess sealant from floor.

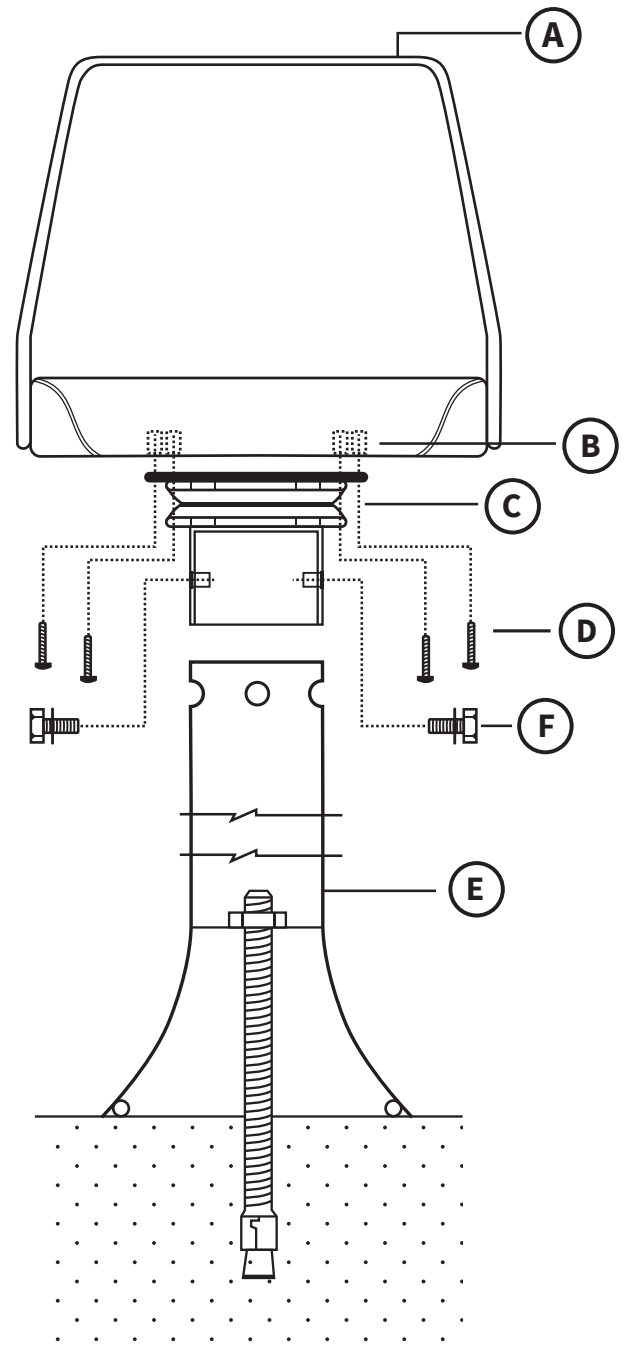
*Note: Remove and replace swivel only as required to access hardware during shipping. Inspect all swivels for secure, tight fit.*

**2.** Position (A) upholstered stool head over (C) swivel assembly and align (B) stool head t-nuts.

**3.** Attach (D) stool head screws to (B) stool head t-nuts.

**4.** Tighten (D) stool head screws evenly to a snug fit.

*Note: You will need a deep well socket and extension sufficient to reach and tighten nuts from underside*



**TYPE-C**