

1500-921 STOOL ASSEMBLY GUIDE

PART LEGEND

A	Upholstered Stool Head
B	Stool Head T-Nuts
C	Swivel Assembly
D	Stool Head Screws
E	Stool Column
F	Swivel Attachment Bolt & Washer

ASSEMBLY INSTRUCTIONS

1. Mount column and bell to floor. Set bell in continuous sealant bead around perimeter of bell. Clean excess sealant from floor.

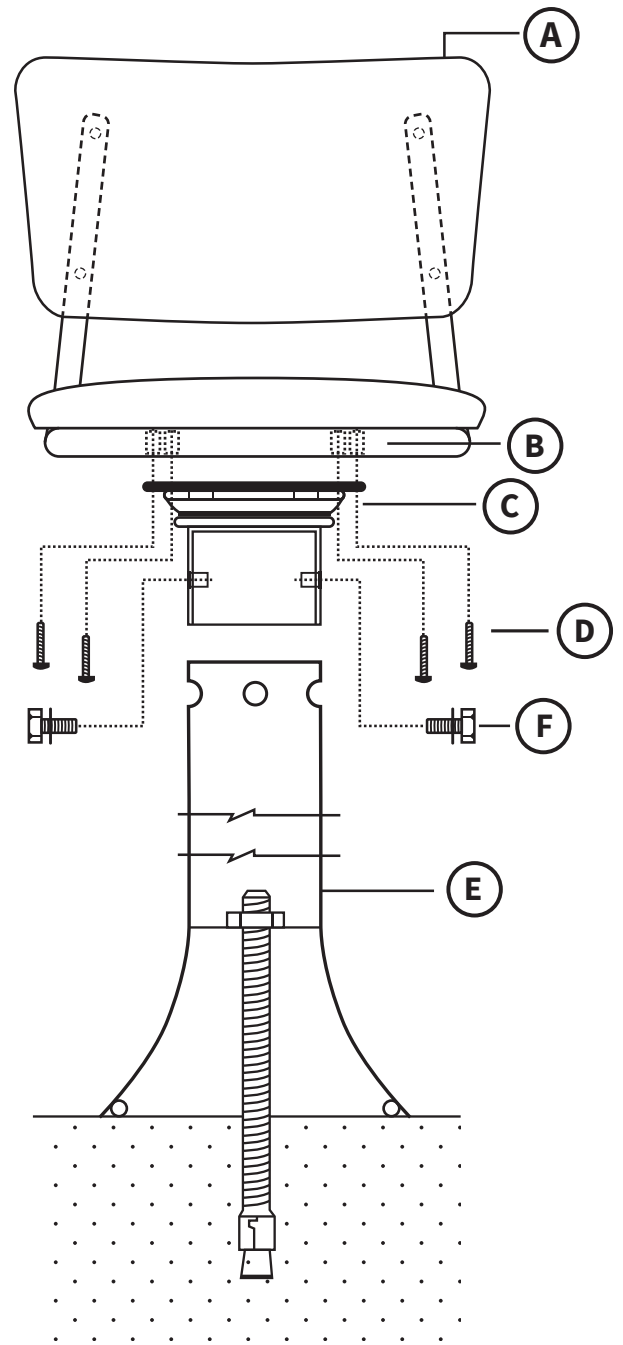
Note: Remove and replace swivel only as required to access hardware during shipping. Inspect all swivels for secure, tight fit.

2. Position (A) upholstered stool head over (C) swivel assembly and align (B) stool head t-nuts.

3. Attach (D) stool head screws to (B) stool head t-nuts.

4. Tighten (D) stool head screws evenly to a snug fit.

Note: You will need a deep well socket and extension sufficient to reach and tighten nuts from underside



TYPE-C